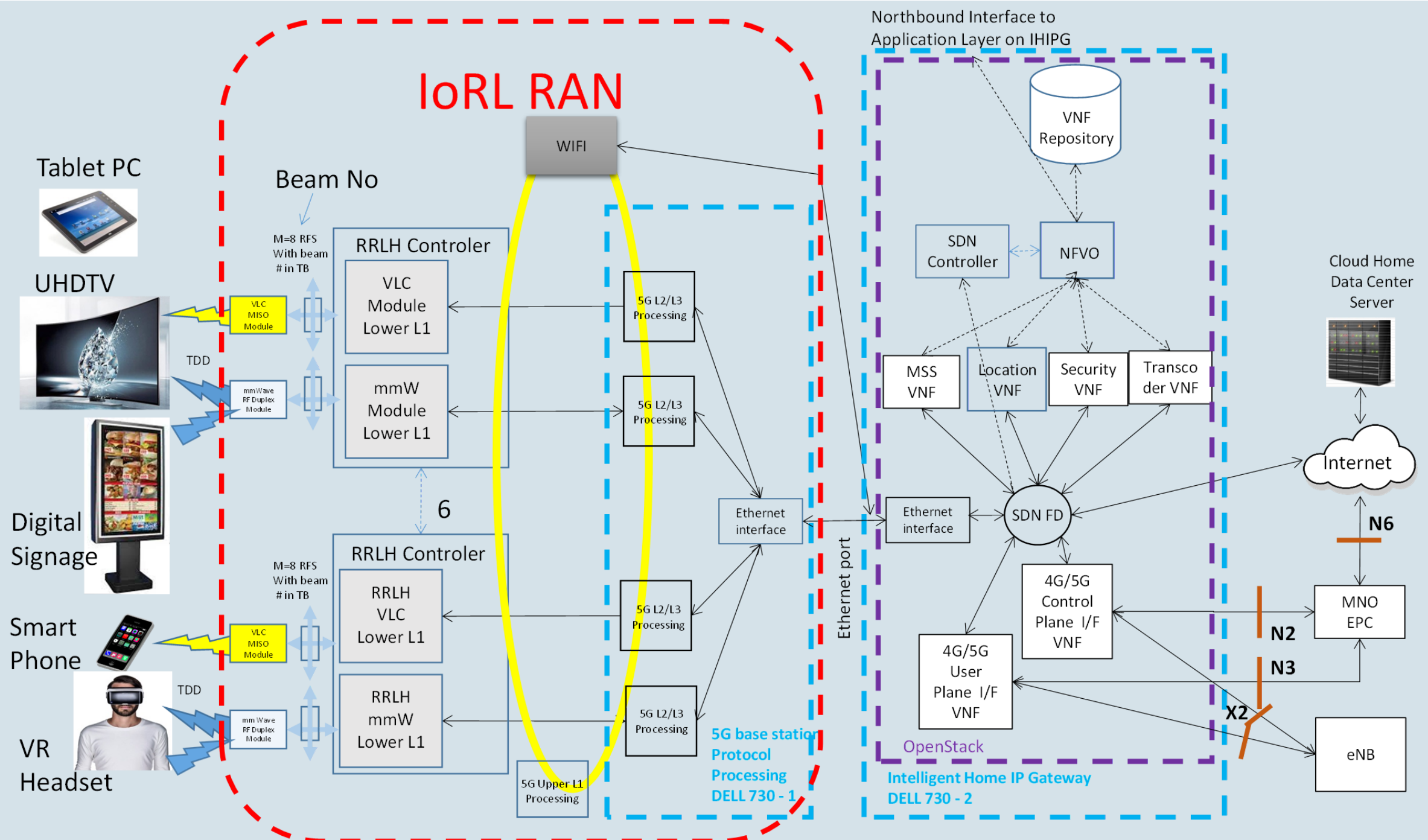


5G Internet of Radio Light Architecture for Buildings



Software Defined Network provides

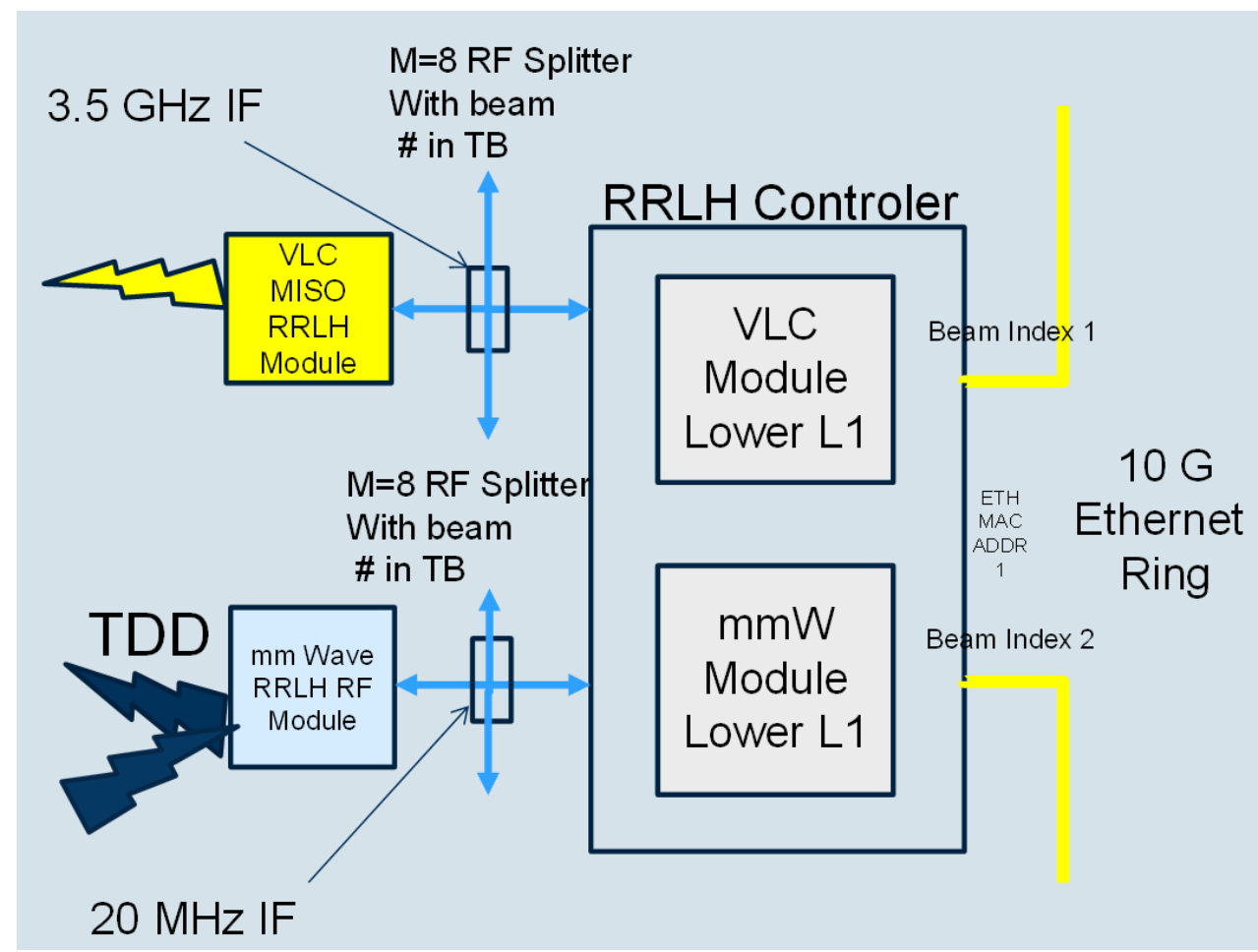
- Home Network, Admission Control, Routing and Mobility Management;
- Security DoS and Rogue Tx Monitoring.

5G Integrated VLC + mmW Remote Radio-Light Head (RRLH) system provides

- AV Streaming, Interaction and Location services;
- Immediate access to unlicensed spectrum;
- Bitrates potentially greater than 10Gbits/sec;
- Latencies of less than 1ms;
- Location accuracy of less than 10cm;
- Reduces EMF levels and interference;
- Lowers energy consumption at Tx/Rx;
- Increases User Equipment energy battery lifetime.

Network Function Virtualization:

- Off-loads the complexity of the 5G layer protocol processing required in the RRLH onto the Intelligent Home IPGateway;
- Invokes network functions to facilitate the provision of services to different types of user equipment.



IoRL project has received funding from the European Union's Horizon 2020 research and innovation programme under grant agreement number 761992.