

Smart Television Services using NFV/SDN Network Management

Nawar Jawad
Nawar.jawad@brunel.ac.uk
Brunel University

Next generation Mobile solutions:

- Adopting new access and routing technologies.
- Introducing new solutions incorporating built-in services to improve quality of experience for users.

Integrating

→ Network Function Virtualisation (NFV)

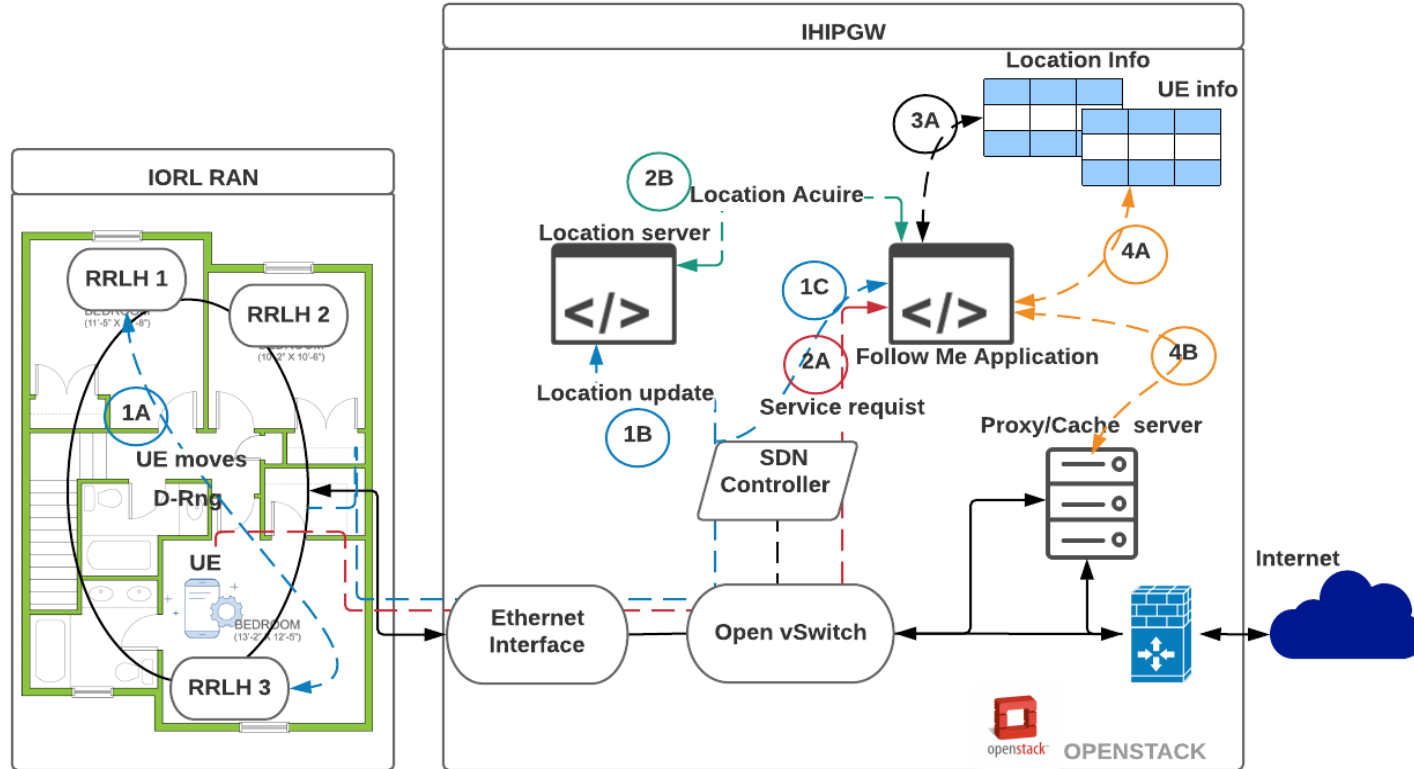
→ Software Defined Networks (SDN)

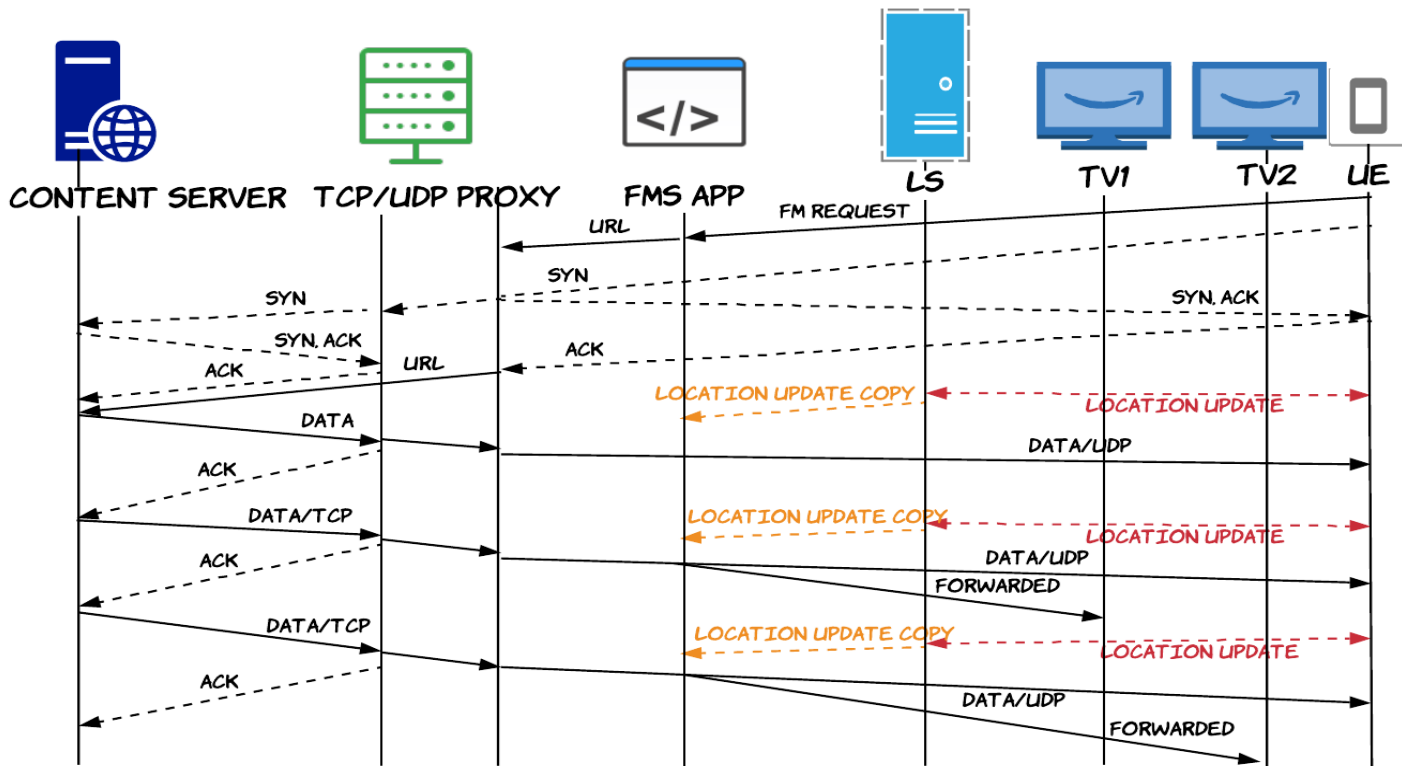
into home environments can potentially

- ✓ Provide Smart Television services
- ✓ Improve Quality of Experience (QoE) of the home users.

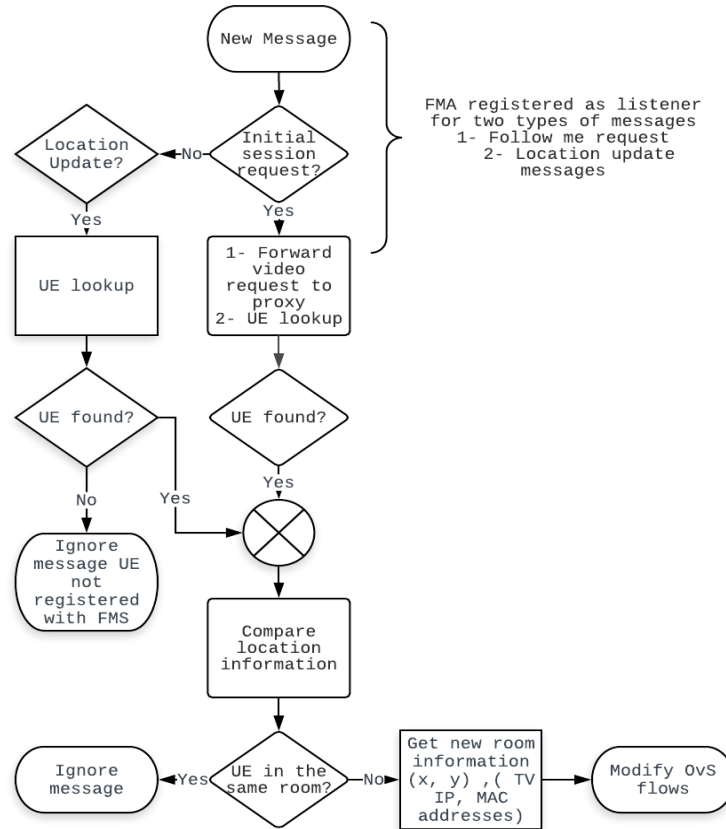
- ❑ Follow Me Service (FMS) is one of the services that can be addressed through robust mechanisms for switching between multiple 5G radio access technologies (RATs) and the SDN/NFV-driven Intelligent Home IP Gateway (IHIPGW) of the Internet of Radio Light (IoRL) project paradigm

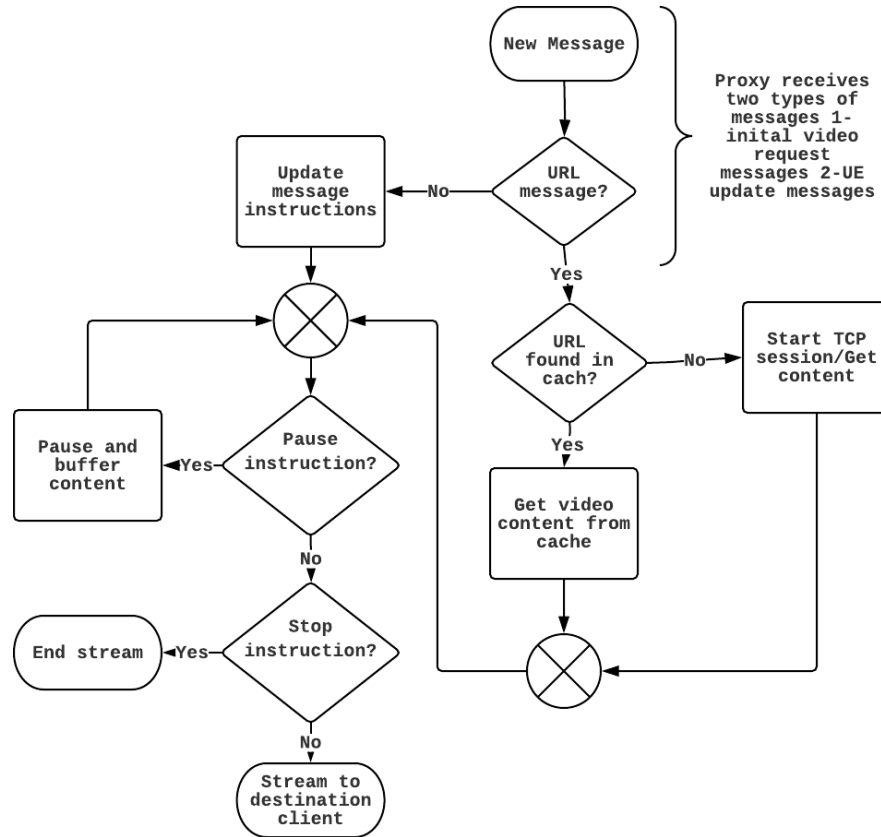
FMS System Architecture



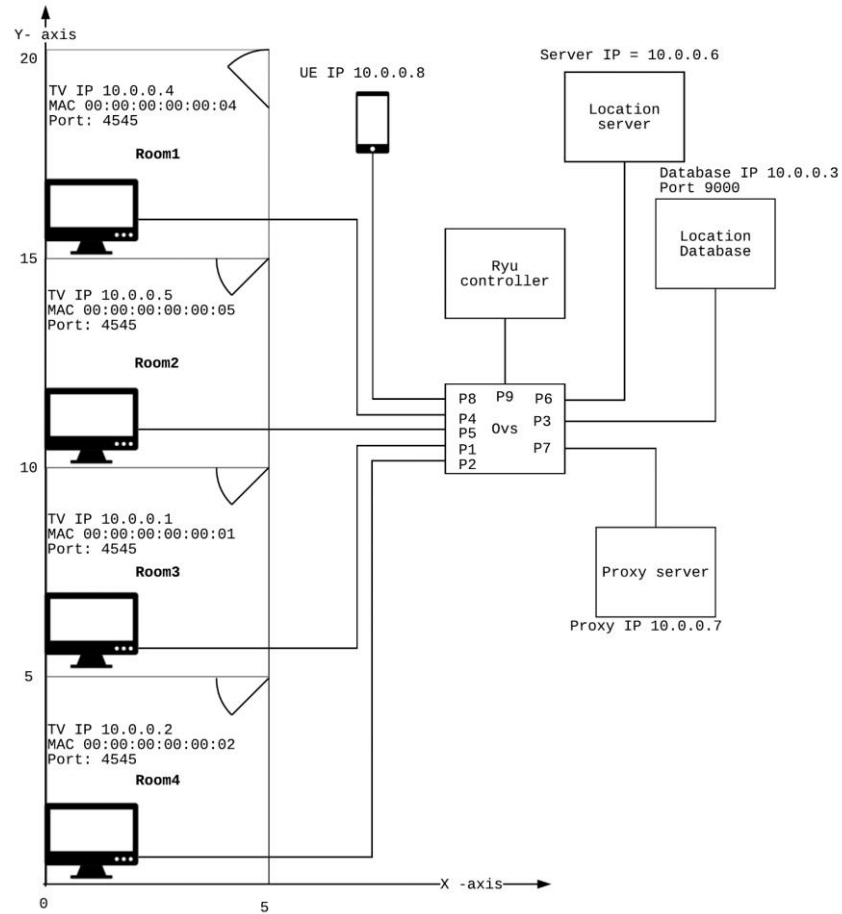


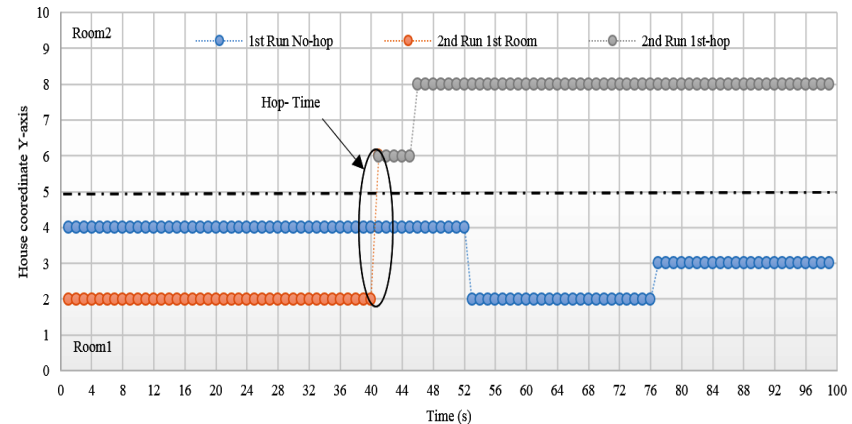
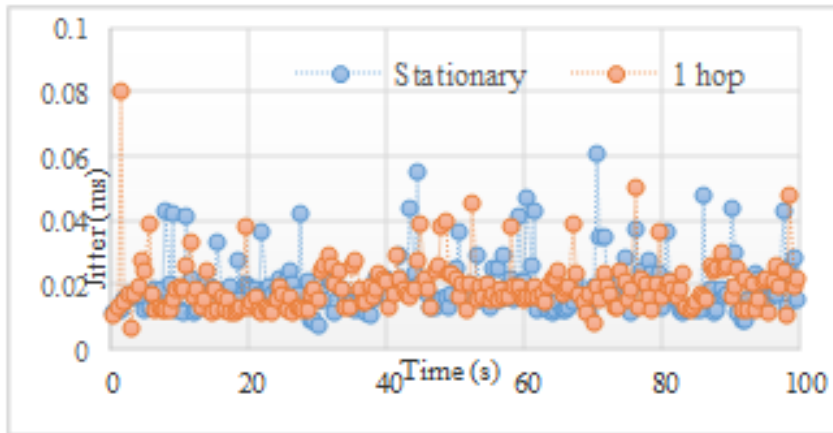
Follow Me Application





- ❑ Mininet emulation tool
 - IHIPGW
 - RAN
- ❑ Iperf traffic generator
 - Location estimation information / LS → LD
 - Video streaming/ Proxy → Client





Jitter ranged around 0.03 (ms) with some spikes in random times.

Throughput ranging around 79.75(Mbps), with lowest throughput at 97.5 (Mbps)